

## MVS-MR16 DOWNLIGHT BULLET

- MVS bullet with 12V MR16 socket assembly installed
- Rated for up to 75 watt 12V MR16 lamp
- DSA6 (angled shield- SHOWN) or DST6 (tube shield- OPTIONAL) required for use as a downlight
- Remote transformer required (SUPPLIED BY OTHERS)
- Available in Hartford Green (G) or Antique Bronze (B)
- For use with 10w, 20w, 35w, 50w, or 75w MR16 12V lamps (SUPPLIED BY OTHERS)



### Optional Accessories:

12V Mounting Stake

TM Tree Mount

TMB Tree Mount Box

F33 Pale Blue Lens

F66 MV Green Lens

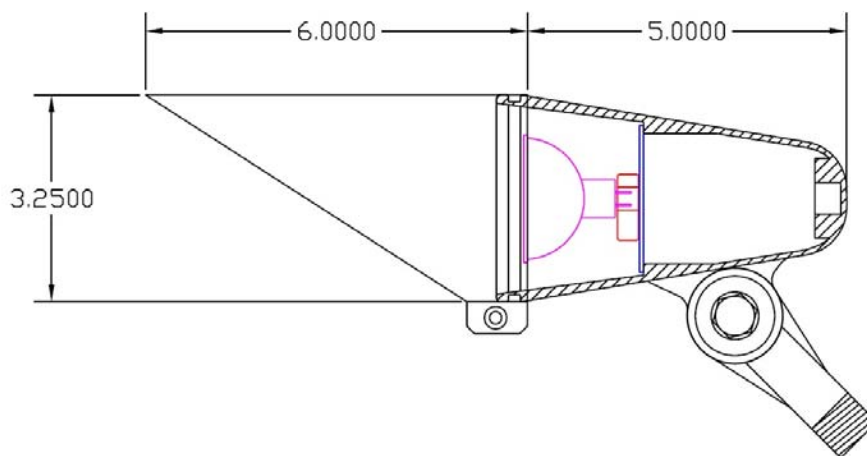
OSL Spread Lens

DIF Diffused Lens

LSL Linear Spread Lens

LVR Honeycomb Louver

\*All MR16 lenses require lens clip to attach to lamp (SUPPLIED BY OTHERS)



## MVS-MR16 UPLIGHT BULLET

- MVS bullet with 12V MR16 socket assembly installed
- Rated for up to 75 watt 12V MR16 lamp
- USR20 (angled shield-SHOWN) or UST20 (tube shield-OPTIONAL) required for use as an uplight
- Remote transformer required (SUPPLIED BY OTHERS)
- Available in Hartford Green (G) or Antique Bronze (B)
- For use with 10w, 20w, 35w, 50w, or 75w MR16 12V lamps (SUPPLIED BY OTHERS)



### Optional Accessories:

12V Mounting Stake

TM Tree Mount

TMB Tree Mount Box

F33 Pale Blue Lens

F66 MV Green Lens

OSL Spread Lens

DIF Diffused Lens

LSL Linear Spread Lens

LVR Honeycomb Louver

\*All MR16 lenses require lens clip to attach to lamp (SUPPLIED BY OTHERS)

