

# PAR-38

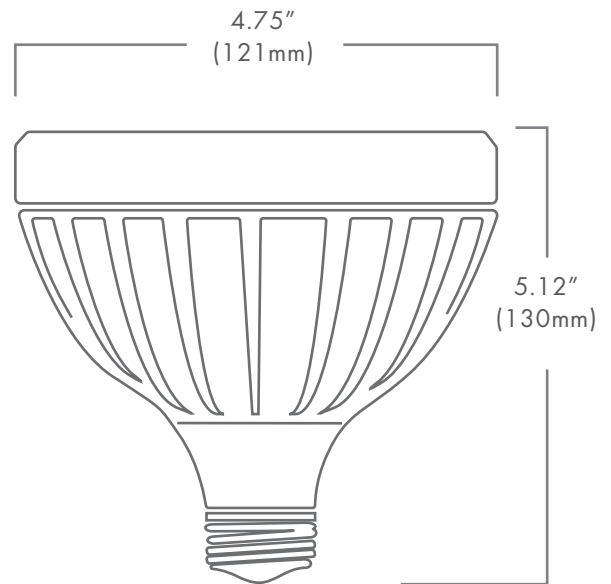
## DESCRIPTION:

The PAR (Indoor/Outdoor) Series is designed specifically as an energy saving alternative to traditional halogen PAR lamps, making them ideal for general lighting. Designed for 120VAC, 60Hz universal power, they can be installed into any standard E26 medium socket. The lamps are corrosion resistant. Each lamp is made with CREE XP-E high power chipset.

## FEATURES:

- Dimmable
- Shock and vibration resistant
- UV, NIR radiation & mercury free
- Black or white housing
- Suitable for totally enclosed fixtures

Wattage	17
Lumens	800, 850, 1150
Beam Spread	25°, 40°
Kelvin Temperature	2700, 3000, 5700
Input Voltage	AC 110-120V/60hz
Replaces	100W Halogen
CRI	85
IP	64
Chipset	CREE XP-E
Lamp Life (hours)	35,000
Warranty (years)	3



PART NUMBER: PAR 38 IOS XXXX XX XX

2700	KELVIN TEMPERATURE	25	BEAMSPREAD	HOUSING
3000				
5700				
		40		BL = Black WH = White

