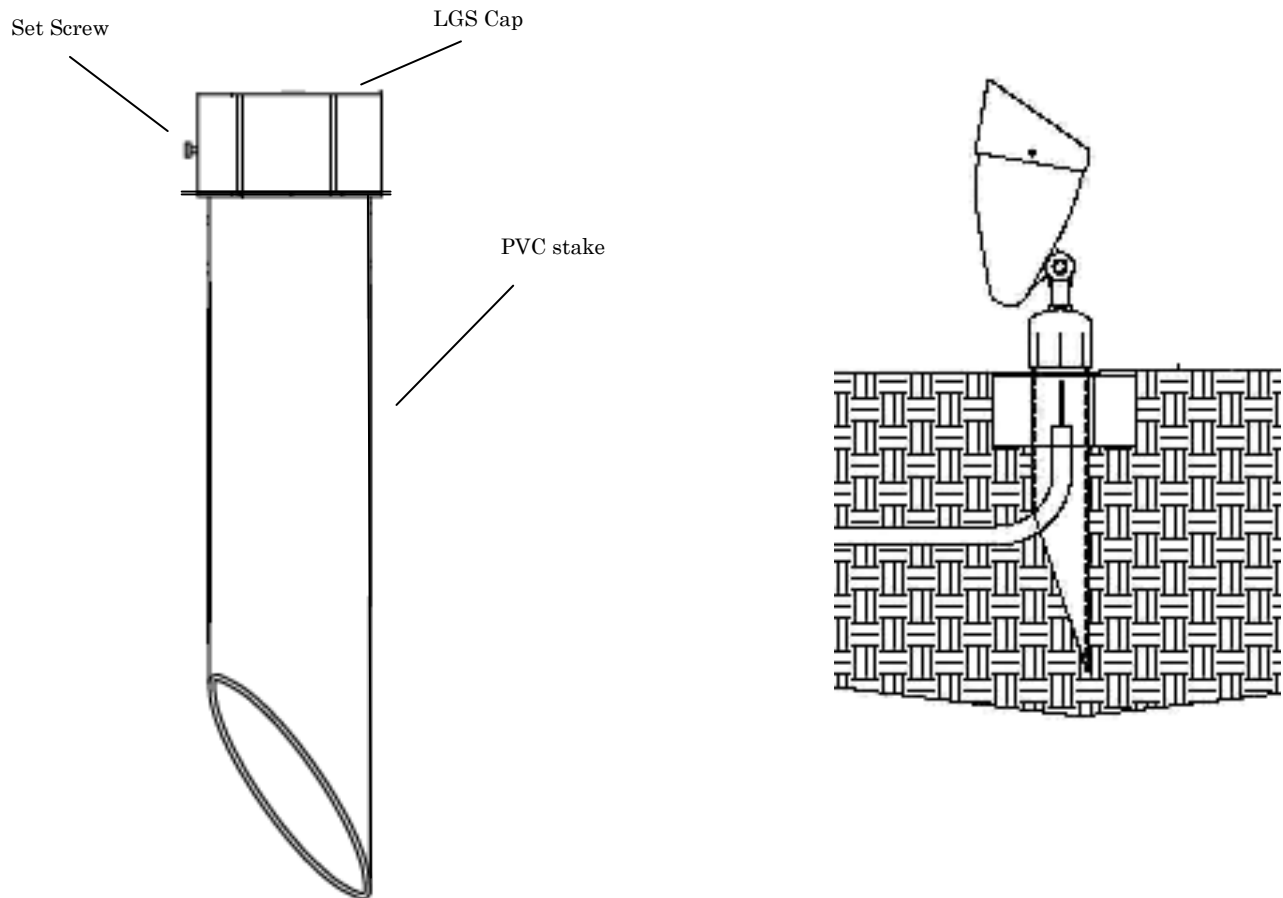




LGS Stake Installation Instructions



1. Install flexible conduit (required for 120V installations only).
2. Place the LGS over the conduit as shown.
3. Backfill against the PVC stake.
4. Install the fixture in the 1/2" threaded hole on the molded stake cap.
5. Pull the supply wires through the conduit.
6. Connect the supply wires with wire nuts (not provided). Connect white wire to white wire, black wire to black wire, and all of the ground wires together.
7. Place the fixture (already attached to the molded cap) atop of the PVC post and secure with set screw.

This mount is intended for installation in accordance with the National Electrical Code and local code specifications. Failure to adhere to these codes and instructions may result in serious injury and/or damage to the mount and will void the warranty. These instructions cover most installation applications. For any special applications not covered, please contact your distributor for assistance.