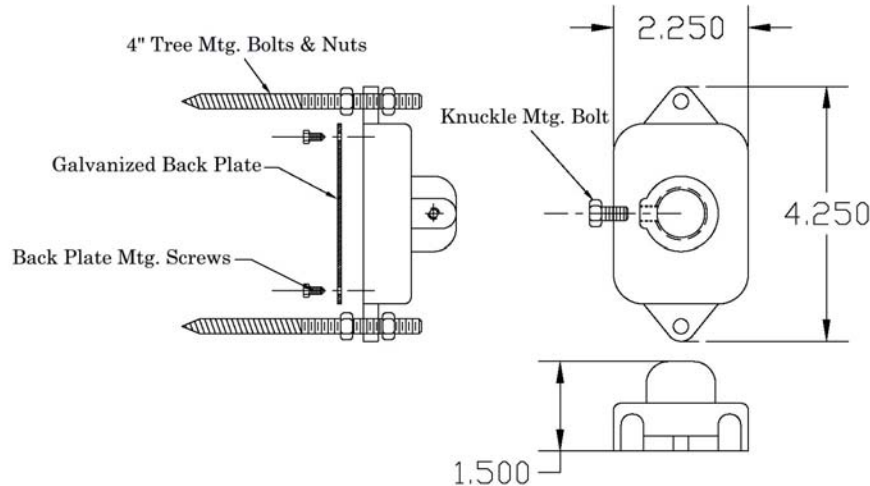


Mounting Accessories

TM Tree Mount

- All mounting hardware included:
 - (2) 4" Tree Bolts with (4) 1/4 x 20 nuts
 - (1) Galvanized back plate
 - (2) Back plate mounting screws
 - (1) Knuckle mounting stainless screw
- Comes standard with all downlight kits unless specified
- Available in textured finishes Hartford Green (HGT) or Bronze (BZT)
- 4" Stainless Tree Bolts and Nuts available upon request at additional cost



TMB Tree Mount Box

- All mounting hardware included:
 - (2) 4" Tree Bolts with (4) 1/4 x 20 nuts
 - (1) Galvanized back plate
 - (2) Back plate mounting screws
 - (1) Knuckle mounting stainless screw
- Larger box with Neoprene Gasket
- 1/2-14 NPT inlet thread for cord grip/seal tite attachment
- For low voltage applications, use TMB box to house TE-12-75 watt transformer
- Available in textured Bronze (BZT) finish
- 4" Stainless Tree Bolts and Nuts available upon request at additional cost

